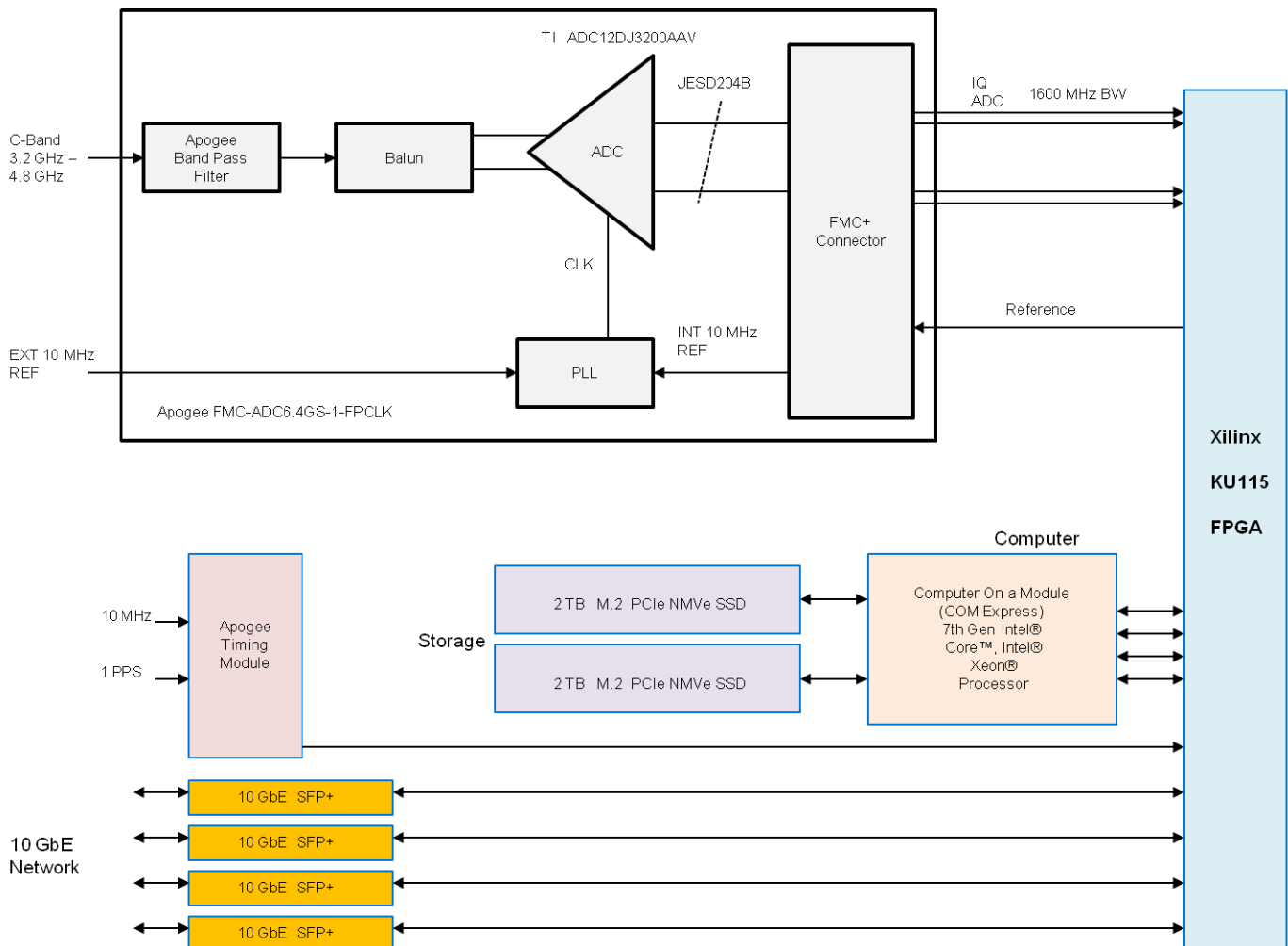


Model 125 C-Band RF to Network Application

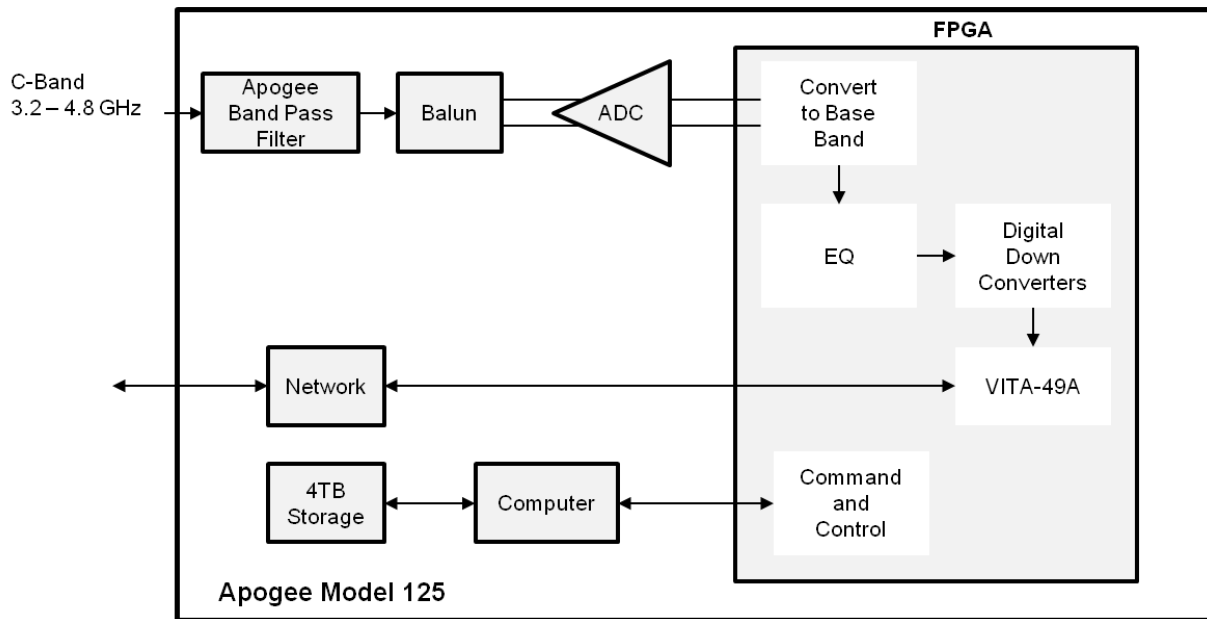
- Direct RF Sample C-Band - 3.2 GHz to 4.8 GHz
- 12-bit Digitizer, 65 dBFS SFDR Typical
- Time Tagging down to 1 nsec accuracy
- Programmable Gain Digital Wide Band Equalizer
- Digital Down Converters
- Tuner Bandwidths up to 320 MHz
- VITA-49A Packet Format

- Web Based Browser GUI for Command and Control
- ~8 Minute Record using 4TB Onboard Storage
- Optional External Storage
- Record and Stop, or Continuous Loop Record
- Playback from Storage at Lower Network Data Rates
- Features Apogee Proprietary Small Form Factor Band Pass Filter Technology (SFBPF)
- 1U Rack Mount, 10" Chassis Depth



Apogee Small Form Factor Bandpass Filter





Specifications (RF parameters are Typical)

Analog-to-Digital (ADC) Part Number.....	Texas Instruments ADC12DJ3200
ADC Resolution.....	12-bits
ADC Sampler Rate.....	Up to 6.4 GSPS Single Channel Mode, Up to 3.2 GSPS Dual Channel Mode
Analog Input Bandwidth.....	8.0 GHz (-3dB)
Usable Input Frequency Range.....	>10 GHz
Noise Floor (No signal, VFS = 1.0 VPP).....	Dual channel mode: -151.8 dBFS/Hz Single channel mode: -154.6 dBFS/Hz
Full-scale Input Voltage.....	0.8 Vpp (VFS, default)

Unit Specifications

19" 1U rack mount (10" depth), 0-35C Operating, Humidity 5%—90% Non-condensing, Weight 7.6 lbs
90—264 VAC, 47—63 Hz, Power Factor Corrected