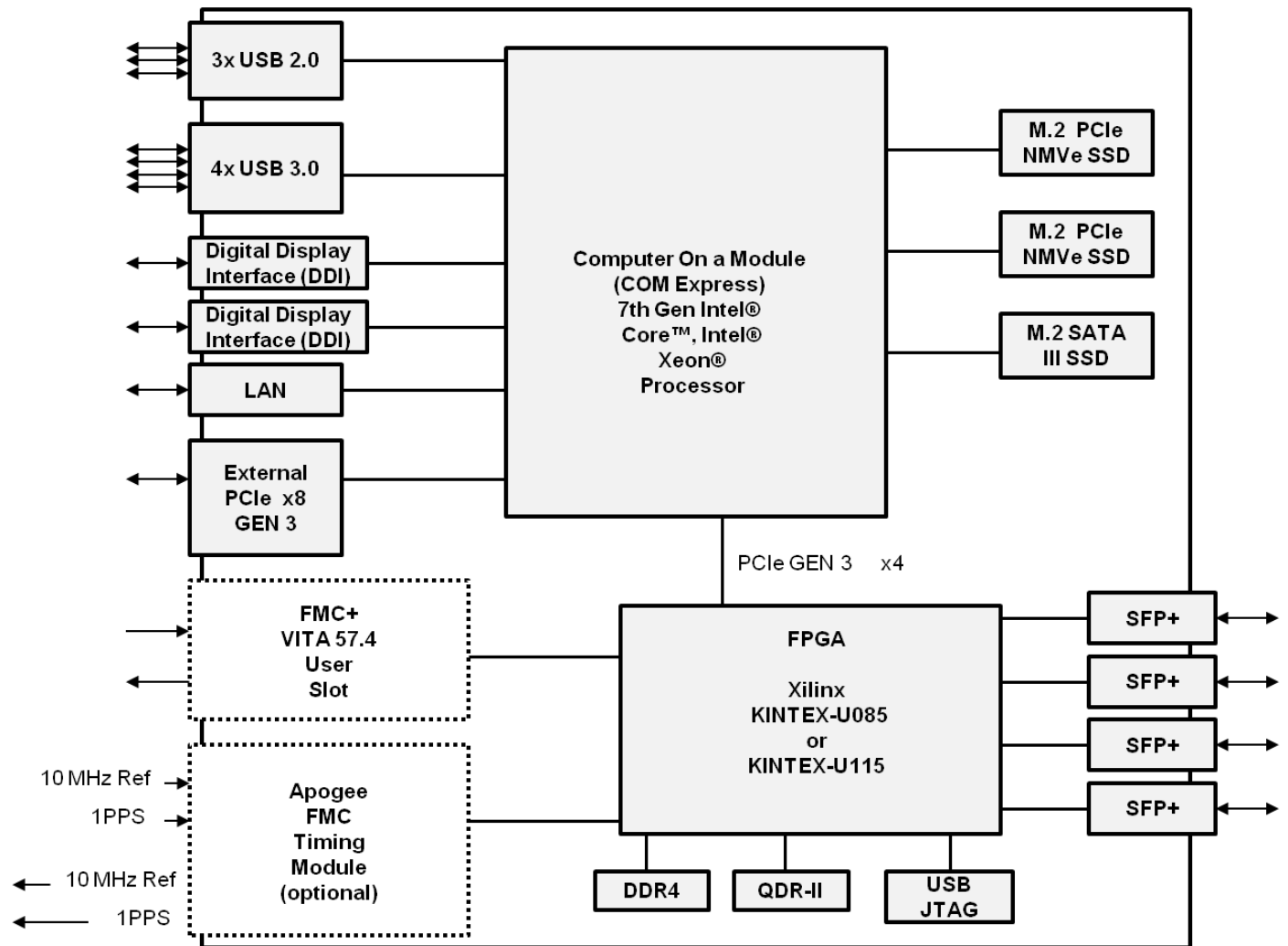




Model 125 Heterogeneous Computing Platform

- 1x FMC+ daughter board slots
- Large customizable Xilinx Ultrascale FPGA for high performance DSP (KU085)
- Optional Larger FPGA (KU115)
- 4x - 10 GbE SFP+ Ports (RX/TX)
- External PCIe x8 Lane GEN 3
- 2x Digital Display Interface (DDI)
- Up to 4TB High Speed Internal Storage

- 3x USB 2.0, 4x USB 3.0
- 3x M.2 Solid State Drive (SSD)
- 1x 8GB DDR4 Memory Module
- 1x 72-Mbit QDR® II
- 1x SATA III SSD, 2x PCIe NVMe SSD
- Apogee FMC Timing Module (optional)
- 7th Gen Intel® Core™, Intel® i5, i7 or Xeon® Processor





Model 125 Heterogeneous Computing Platform

Model 125



FPGA Resources

FPGA	KU085	KU115
Logic Cells	1,088 K	1,451 K
CLB Flip Flops	995,040	1,326,720
CLB LUTs	497,520	663,360
Total Block RAM	56.9 Mb	75.0 Mb
DSP Slices	4,100	5,520
GTH/GTY	56	64

Unit Specifications

19" 1U rack mount (10" depth), 0-35C Operating, Humidity 5%—90% Non-condensing, Weight 7.6 lbs
90—264 VAC, 47—63 Hz, Power Factor Corrected